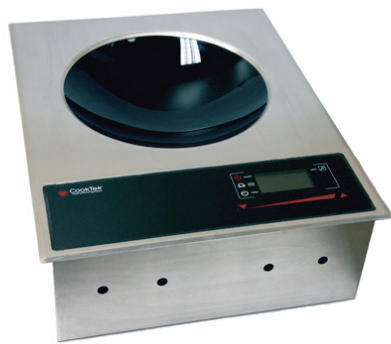


DROP-IN WOK with Apogee™ Controls



PERFORMANCE

The CookTek® Drop-in Wok with Apogee™ Controls is a drop-in countertop design with stainless steel edging, aluminum housing, and a glass-ceramic recessed wok bowl intended for use in commercial kitchens and restaurants. An automatic shut-off feature, integral cooling fan, and self-diagnosing microprocessor allow for a safe kitchen environment. Each unit is equipped with 100 power cook settings to ensure maximum and efficient heating of any induction compatible pan.*

*Induction cooking requires the use of induction-compatible (i.e. magnetic) cookware.

It is the owner and installer's responsibility to comply with all local codes. CookTek reserves the right to make substitutions of components or change specifications without prior notice.

Project _____

Item No. _____

Quantity _____

FEATURES

- Models available in 1,800 (U.S. only); 2,500; 3,000; 3,500 watts
- Drop-in design with stainless steel top and aluminum housing
- High-quality internal electronics and heavy gauge Litz wire
- Easy-to-clean high-temperature glass-ceramic wok bowl
- Automatic pan detection allows for instant energy transmission to pan
- LED display for precise user feedback
- Programmed with 100 power cook settings
- Automatic shut-off feature prohibits overheating
- Microprocessor monitors vital components to check for overheating, power supply issues, and more
- Integral fan keeps internal components cool
- Available in 100-120 VAC or 200-240 VAC, single phase
- Includes plug and cord (6 ft. nominal)
- Two-year advanced replacement warranty – U.S. and Canada

ACCESSORIES (NOT INCLUDED)

- 14" (356 mm) Stainless Steel Wok (Part # CT-103871)
- Wok Replacement Handle (Part # CT-102881)

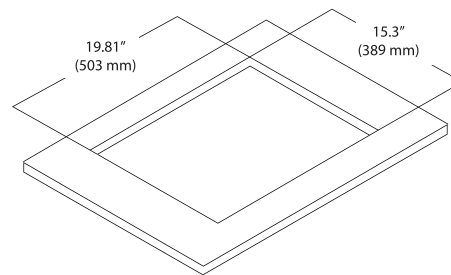
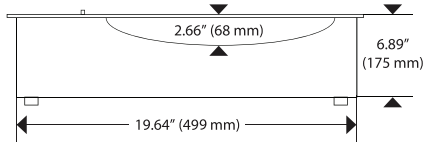
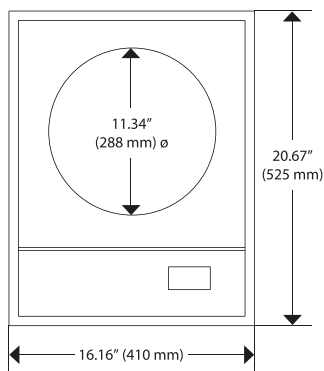


14WOKSS

CERTIFICATIONS



CATEQUIP SAS
 19 rue de la Paix, 10320 BOUILLY, France
 Tél. :+33 (0)3 25 40 29 10
 Fax :+33 (0)3 25 40 26 69
 infos@catequip.com
 www.catequip.com



DIMENSIONS		
Full Unit Height	6.89"	175 mm
Full Unit Width	16.16"	410 mm
Housing Width	15.13"	384 mm
Full Unit Depth	20.67"	525 mm
Housing Depth	19.64"	499 mm
Cutout Width	15.3"	389 mm
Cutout Depth	19.81"	503 mm
Weight	29 lb.	13.1 kg
CLEARANCE		
Front	2"	51 mm
Sides	2"	51 mm
Rear	2"	51 mm
Below	6"	152 mm
COOLING REQUIREMENTS AND SPECIFICATIONS*		
Max Ambient Temperature	122°F	50°C
Min. Ventilation Requirements	16 in ²	103 cm ²
INTERNAL COOLING FAN DISPLACEMENT		
100-120 V Models	50 CFM (1.5m ³ /min)	
200-240 V Models	70 CFM (2.0m ³ /min)	
SHIPPING INFORMATION		
Packaged Height	15"	381 mm
Packaged Width	24"	610 mm
Packaged Depth	24"	610 mm
Packaged Weight	33 lb.	15 kg

ELECTRICAL SPECIFICATIONS (SINGLE PHASE)			
UNITED STATES/CANADA			
MWD1800G	622101	100-120 V, 50/60 Hz, 15 A, 100-1,800 W	NEMA 5-15P
MWD2500G	622201	200-240 V, 50/60 Hz, 12 A, 100-2,500 W	NEMA 5-15P
MWD3000G	622301	200-240 V, 50/60 Hz, 14 A, 100-3,000 W	NEMA 6-20P
MWD3500G	622401	200-240 V, 50/60 Hz, 15 A, 100-3,500 W	NEMA 6-20P
UK AND SAUDI ARABIA			
MWD2500G	622202	200-240 V, 50/60 Hz, 12 A, 100-2,500 W	BS1363
MWD3000G	622302	200-240 V, 50/60 Hz, 14 A, 100-3,000 W	BS1363
MWD3500G	622402	200-240 V, 50/60 Hz, 15 A, 100-3,500 W	IEC 309, 16A, 3-pin
INTERNATIONAL			
MWD2500G	622203	200-240 V, 50/60 Hz, 12 A, 100-2,500 W	CEE 7/7 Schuko
MWD3000G	622303	200-240 V, 50/60 Hz, 14 A, 100-3,000 W	CEE 7/7 Schuko
MWD3500G	622403	200-240 V, 50/60 Hz, 15 A, 100-3,500 W	CEE 7/7 Schuko
AUSTRALIA			
MWD2500G	622204	200-240 V, 50/60 Hz, 12 A, 100-2,500 W	AS/NZS 3112:2000, 10A, 250V
MWD3000G	622304	200-240 V, 50/60 Hz, 14 A, 100-3,000 W	AS/NZS 3112:2000, 15A, 250V
MWD3500G	622404	200-240 V, 50/60 Hz, 15 A, 100-3,500 W	AS/NZS 3112:2000, 15A, 250V
SOUTH AFRICA			
MWD2500G	622207	200-240 V, 50/60 Hz, 12 A, 100-2,500 W	BS 546, 16A, 250V
MWD3000G	622307	200-240 V, 50/60 Hz, 14 A, 100-3,000 W	BS 546, 16A, 250V
MWD3500G	622407	200-240 V, 50/60 Hz, 15 A, 100-3,500 W	BS 546, 16A, 250V
ISRAEL			
MWD2500G	622208	200-240 V, 50/60 Hz, 12 A, 100-2,500 W	SI 32, 16A, 250V
MWD3000G	622308	200-240 V, 50/60 Hz, 14 A, 100-3,000 W	SI 32, 16A, 250V
MWD3500G	622408	200-240 V, 50/60 Hz, 15 A, 100-3,500 W	SI 32, 16A, 250V



NEMA 5-15P



AS/NZS 3112:2000, 10A, 250V



NEMA 6-20P



AS/NZS 3112:2000, 15A, 250V



BS1363



BS 546, 16A, 250V



IEC 309, 16A, 3-pin



CEE 7/7 Schuko



SI 32, 16A, 250V

* Adequate cabinet ventilation should be provided for all drop-in models to prevent overheating of unit.



Dedicated circuit required for each installation.



CATEQUIP SAS

19 rue de la Paix, 10320 BOUILLY, France

Tél. :+33 (0)3 25 40 29 10

Fax :+33 (0)3 25 40 26 69

infos@catequip.com

www.catequip.com



INDUCTION WOK with Apogee™ Controls



Project _____

Item No. _____

Quantity _____

FEATURES

- Models available in 1800 (U.S. only), 2500, 3000, 3500 watts
- Portable design with stainless steel housing
- Touch controls with LCD display panel
- High-quality internal electronics and heavy gauge Litz wire
- Easy-to-clean high temperature glass-ceramic wok bowl
- Automatic pan detection allows for instant energy transmission to pan
- Lock feature prevents unwanted setting changes
- Programmed with 100 power cook settings
- Automatic shut-off feature prohibits overheating
- Integral grease filter and air baffle ensure air intake is cleaner and cooler
- Sloped front panel allows for easy viewing and operation
- Microprocessor monitors vital components to check for overheating, power supply issues, and more
- Integral fan keeps internal components cool
- Available in 100-120 VAC or 200-240 VAC, single phase
- Includes plug and cord (6 ft. nominal)
- Two-year advanced replacement warranty – U.S. and Canada

PERFORMANCE

The CookTek® Induction Wok with Apogee™ Controls boasts a portable countertop design with stainless steel housing and a recessed glass-ceramic wok bowl intended for commercial kitchens and restaurants. An automatic shut-off feature, integral cooling fan, and self-diagnosing microprocessor allow for a safe kitchen environment. Each unit is equipped with a built-in timer and 100 precise power settings to ensure maximum and efficient heating of any induction compatible wok pan.*

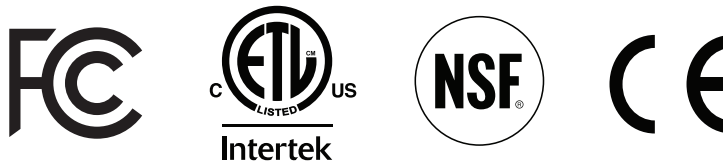
ACCESSORIES (NOT INCLUDED)

- 14" (356 mm) Stainless Steel Wok (Part # CT-103871)
- Wok Replacement Handle (Part # CT-102881)



14WOKSS

CERTIFICATIONS

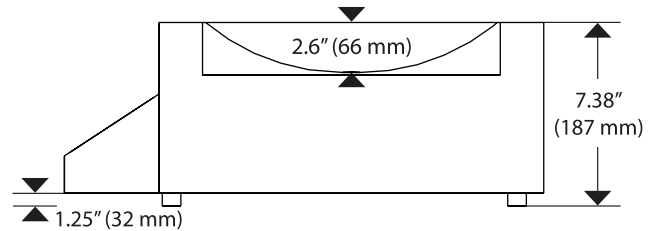
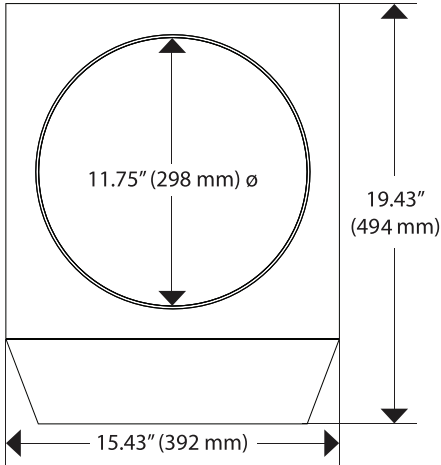


*Induction cooking requires the use of induction compatible (i.e. magnetic) cookware.

It is the owner and installer's responsibility to comply with all local codes. CookTek reserves the right to make substitutions of components or change specifications without prior notice.



CATEQUIP SAS
 19 rue de la Paix, 10320 BOUILLY, France
 Tél. :+33 (0)3 25 40 29 10
 Fax :+33 (0)3 25 40 26 69
 infos@catequip.com
 www.catequip.com



DIMENSIONS		
Full Unit Height	7.38"	187 mm
Housing Height	6.16"	156 mm
Full Unit Width	15.43"	392 mm
Full Unit Depth	19.43"	494 mm
Bowl Width	11.75" \varnothing	298 mm \varnothing
Bowl Vertical Depth	2.6"	66 mm
Feet Height	1.25"	32 mm
Weight	23.3 lb.	10.6 kg
Max Ambient Temperature	122°F	50°C
WALL CLEARANCE		
Front	2"	51 mm
Sides	2"	51 mm
Rear	2"	51 mm
SHIPPING INFORMATION		
Packaged Height	13"	330 mm
Packaged Width	23"	584 mm
Packaged Depth	24"	610 mm
Packaged Weight	26 lb.	11.8 kg
Item Class	250 NMFC #26710	

ELECTRICAL SPECIFICATIONS (SINGLE PHASE)			
UNITED STATES/CANADA			
MW1800G	621201	100-120 V, 50/60 Hz, 15 A, 100-1800 W	NEMA 5-15P
MW2500G	621301	200-240 V, 50/60 Hz, 12 A, 100-2500 W	NEMA 6-20P
MW3000G	621401	200-240 V, 50/60 Hz, 14 A, 100-3000 W	NEMA 6-20P
MW3500G	621501	200-240 V, 50/60 Hz, 15 A, 100-3500 W	NEMA 6-20P
UK AND SAUDI ARABIA			
MW2500G	621302	200-240 V, 50/60 Hz, 12 A, 100-2500 W	BS1363
MW3000G	621402	200-240 V, 50/60 Hz, 14 A, 100-3000 W	BS1363
MW3500G	621502	200-240 V, 50/60 Hz, 15 A, 100-3500 W	IEC 309, 16A, 3-pin
INTERNATIONAL			
MW2500G	621303	200-240 V, 50/60 Hz, 12 A, 100-2500 W	CEE 7/7 Schuko
MW3000G	621403	200-240 V, 50/60 Hz, 14 A, 100-3000 W	CEE 7/7 Schuko
MW3500G	621503	200-240 V, 50/60 Hz, 15 A, 100-3500 W	CEE 7/7 Schuko
AUSTRALIA			
MW2500G	621304	200-240 V, 50/60 Hz, 12 A, 100-2500 W	AS/NZS 3112:2000, 10A, 250V
MW3000G	621404	200-240 V, 50/60 Hz, 14 A, 100-3000 W	AS/NZS 3112:2000, 15A, 250V
MW3500G	621504	200-240 V, 50/60 Hz, 15 A, 100-3500 W	AS/NZS 3112:2000, 15A, 250V
SOUTH AFRICA			
MW2500G	621307	200-240 V, 50/60 Hz, 12 A, 100-2500 W	BS 546, 16A, 250V
MW3000G	621407	200-240 V, 50/60 Hz, 14 A, 100-3000 W	BS 546, 16A, 250V
MW3500G	621507	200-240 V, 50/60 Hz, 15 A, 100-3500 W	BS 546, 16A, 250V
ISRAEL			
MW2500G	621308	200-240 V, 50/60 Hz, 12 A, 100-2500 W	SI 32, 16A, 250V
MW3000G	621408	200-240 V, 50/60 Hz, 14 A, 100-3000 W	SI 32, 16A, 250V
MW3500G	621508	200-240 V, 50/60 Hz, 15 A, 100-3500 W	SI 32, 16A, 250V

- | | | | |
|--|---------------------|--|-----------------------------|
| | NEMA 5-15P | | AS/NZS 3112:2000, 10A, 250V |
| | NEMA 6-20P | | AS/NZS 3112:2000, 15A, 250V |
| | BS1363 | | BS 546, 16A, 250V |
| | IEC 309, 16A, 3-pin | | CEE 7/7 Schuko |
| | SI 32, 16A, 250V | | |

Dedicated circuit required for each installation



CATEQUIP SAS
 19 rue de la Paix, 10320 BOUILLY, France
 Tél. :+33 (0)3 25 40 29 10
 Fax :+33 (0)3 25 40 26 69
 infos@catequip.com
 www.catequip.com