



580-Series Sauce Dispensers

Product # 580-Series

Prince Castle Sauce Dispensers are perfect for portion control of heavy sauces such as tarter, mayonnaise, sour cream and guacamole. With a click of the trigger, a portion-controlled amount of sauce is dispensed - no spooning, no mess and no fuss!

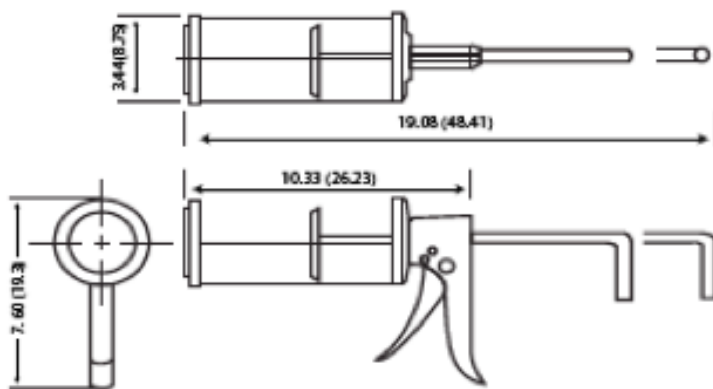
The cartridge bottles, made of polyethylene plastic, keep the sauce covered and free from contamination. Accessories are available for storage and handling the sauce dispensers.

Note: Bottles sold separately. Each bottle holds 26 ounces.

Dimensions

Model Number	Width in (cm)	Length in (cm)	Height in (cm)	Shipping Weight lbs (kg)
580 Series	3.44 (8.73)	7.60 (19.30)	19.06 (48.41)	3.00 (1.40)

Specifications



Product Features

- Precise portion control for heavy sauces.
- Four models available to dispense 1/3 oz. (9.44 grams) to 1 oz. (2834 grams).
- Great for heavy sauces like tartar, mayonnaise, sour cream, and guacamole.
- Optional accessories add versatility.

Ordering Information

Model Number	Description
580-NMCC	Sauce Dispenser - 1/3 oz (9.44 g) Red Handle
581-NMCC	Sauce Dispenser - 1/2 oz (14.17 g) White Handle
582-NMCC	Sauce Dispenser - 2/3 oz (18.88 g) Black Handle
583-NMCC	Sauce Dispenser - 1 oz (28.34 g) Green Handle
589-NMCC	Sauce Dispenser - 1/4 oz (7.09 g) Yellow Handle

Optional Accessories

Model Number	Description	Available Through
136-1	Bottles (case of 9)	Prince Castle
155	Bottle Tray (1 per pkg)	Prince Castle
136-35	Retainers (10 per pkg)	Marmon Link
136-36	Spout Cap (10 per pkg)	Marmon Link
136-38S	Pistons (20 per pkg)	Marmon Link

Certifications



19 rue de la Paix
10320 BOUILLY, France
Tél. : +33 3 25 40 29 10
infos@catequip.com
www.catequip.com



A Marmon / Berkshire Hathaway Company